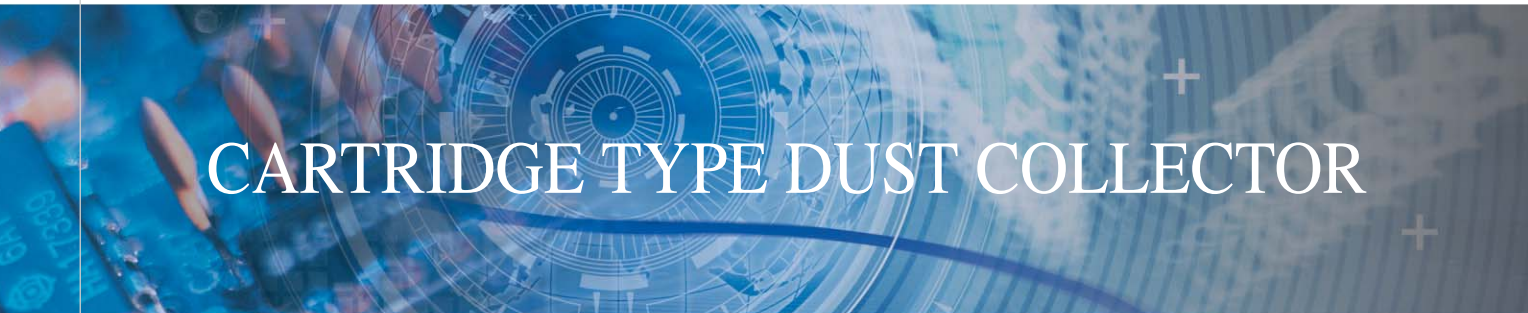




Compact Structure for Use in A Small Space of the Factory

USE

Mixing, Inputting Powder, Processing Board, Bagging, Metal Processing, Inputting Air-supply, Sanding, Cutting Cast Iron Ware, Blending, Drilling, Severing, Cutting, Crashing, Cutting Stone



CARTRIDGE TYPE DUST COLLECTOR



AP-300

CHARACTERISTIC

FILTER

Available to collect minute dust due to large face of filter adopting cartridge type. Easily changeable compact structure using unitary filter.

CONTROL PANEL

Enhanced acknowledgement quality by centralized intensive built-in type.

MANOMETER

To easily grasp the situation of dust accumulation makes easily knowing the time to change filter.

CONTINUAL WORKING

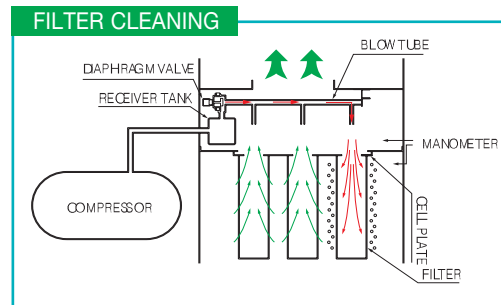
Possible to work for 24hours as automatically shaking dust off in working of dust collector.

FILTER CLEANING

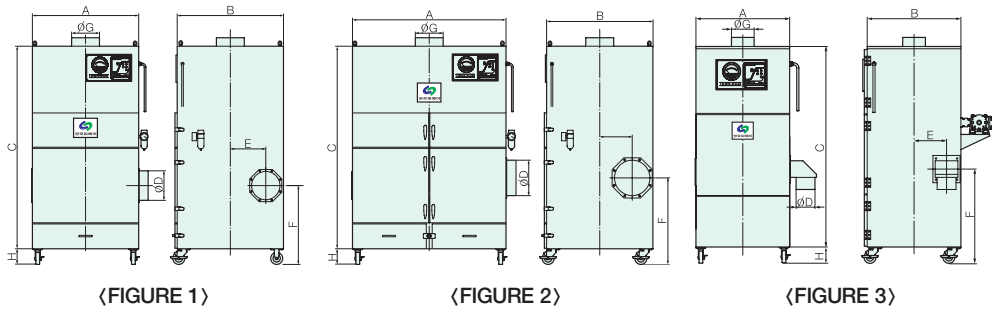
High efficiency of shaking even minute dust off, attached at cartridge filter, as spreading air surrounded by automatic injection of pressed air through BLOWTUBE in operating of PULSE TIMER.

TURBO BLOWER

Realized vibration-free and low-noise as increasing absorption power with decreasing idling weight and starting load on account of applying the domestic beginning of aluminum alloy, and as working with ultra-precision press mold and electronic balancing.



STANDARD DIMENSION



AP SERIES

SPECIFICATION

TYPE	AP-100	AP-200	API-200	AP-300	AP-500	AP-750	AP-1000	AP-1500	AP-2000	AP-3000																						
POWER	220V 1P, 220/380/415/440V 3P 50Hz, 60Hz(OPTION)			220/380/415/440V 3P 50Hz, 60Hz(OPTION)																												
MOTOR(KJ/s)	0.75			1.5		2.2		4.0		5.5		4.0×2SET		5.5×2SET		7.5×2SET		11×2SET														
VOLUME OF WIND(m ³ /min)	0	7	13	0	20	35	0	20	35	0	35	55	0	55	65	0	70	120	0	90	130	0	130	180	0	200	250	0	280	330		
CONSTANT PRESSURE(kPa)	1.76	1.58	0.74	2.06	1.76	1.08	2.06	1.76	1.08	2.06	1.86	1.18	2.45	2.25	1.47	2.65	2.25	1.47	2.75	2.25	1.57	2.75	2.35	1.57	2.75	2.45	1.76	2.75	2.45	1.86		
CARTRIDGE FILTER	SIZE(W×L×P)		ø 145×500L×75P			ø 145×500L×75P			ø 145×500L×75P			ø 145×800L			ø 165×800L×65P																	
	QUANTITY		4			6			9			12			18			24			32											
	FILTRATION SIZE(m ²)		7.5			11.25			13.5			16.87			22.5			33.75			45			72			100			133.2		
MATERIALS	FILTRATION SPEED(m/min)		0	0.9	1.7	0	1.8	3.1	0	1.5	2.6	0	2	3.3	0	2.4	2.9	0	2	3.6	0	2	2.9	0	1.8	2.5	0	2	2.5	0	2.1	2.5
	SHAKING DUST OFF		POLYESTER																													
NUMBER OF SOLENOID VALVES	2		3			4			6			8																				
VOLUME OF AIR CONSUMPTION(N l /min)	20			35			40			60			80			100																
SIZE	A (mm)	520		620			620			750			850			1,290			1,700			1,700			1,950			2,010				
	B (mm)	520		620			620			750			750			900			900			950			1000			1250				
	C (mm)	1410		1570			1890			1635			1675			1880			1750			2090			2195			2290				
	ø D(mm)	150		200			200			250			250			300			350			400			500			600				
	E (mm)	165		190			190			225			225			275			250			250			230			305				
	F (mm)	628		698			880			698			698			735			710			860			870			870				
	ø G(mm)	150		200			200			300			300			350			400			450			550			650				
	H (mm)	128		128			122			128			128			160			160			160			160			160				
CAPACITY OF DUST BOX(l)	16		45			20			65			80			100			130			170											
APPROX. WEIGHT(Kg)	165		220			210			300			380			490			580			720			940			1450					
FIGURE	FIGURE 1			FIGURE 3			FIGURE 1			FIGURE 2																						

● This Specification is based on 60HZ motors & Clean Filters, ● This Specification shall be changeable without notice in order to improve capability.



Compact Structure for Use in A Small Space of the Factory

USE

Grinding, Bagging, Inputting Powder, Sandpapering, Severing, Drilling, Cutting, Mixing, Acryl Processing, Crashing, Cutting Cast Iron Ware

BAG FILTER TYPE DUST COLLECTOR



CHARACTERISTIC

TURBO BLOWER

Realized vibration-free and low-noise as increasing absorption power with decreasing idling weight and starting load on account of applying the domestic beginning of aluminum alloy, and as working with ultra-precision press mold and electronic balancing.



CONTROL PANEL

Enhanced acknowledgement quality owing to integrating on-off switch and manometer by centralized intensive method.

MANOMETER(AUTOMATIC TYPE ATTACHED)

- Noticing the situation of filter in collecting dust.
- Noticing the time of shaking dust off and changing filter.

FILTER

- Available to collect minute dust due to large face of filter adopting rectangular plain surface.
- Possible to adopt various filters suitable for character of dust
- Easily changeable, compact one bodied type

DUST BOX

- 'Dust Box' under the Dust Collector is easy to collect dust as easily changeable sliding type.

TYPE OF SHAKING DUST OFF

- Automatic (M type): Silent and powerful Automatic Vibration built-in timer, if pushing the starting button, it would efficiently shake dust off soon and be free from damage of device by long time use.
- Manual (H type): Shake 'SHAKING HANDLE' to eliminate dust. This type shall be free from being out of order and economical.



* Registration of Design
(0399271)

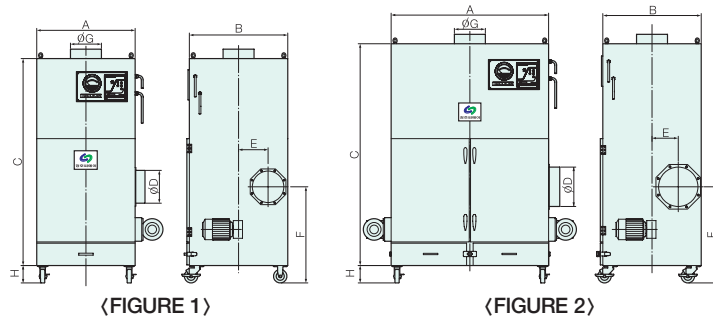


MS-50H

BAG FILTER SET



STANDARD DIMENSION

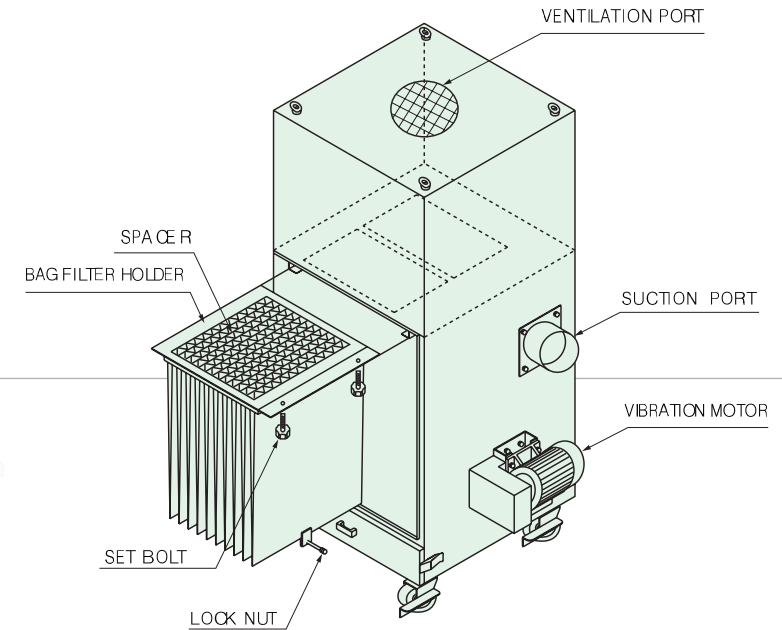


(FIGURE 1)

(FIGURE 2)

Patent applied
0295162

VACUUM CLEANER
ATTACHED TYPE
MSV Series



MS-1000H



MS-300H



MS-500H/FA(2) (FLEXIBLE ARM ATTACHED)

MS SERIES

SPECIFICATION

TYPE		MS-50			MS-100			MS-200			MS-300			MS-500			MS-750			MS-1000			MS-1500		
POWER		220V 1P, 220/380/415/440V 3P 50Hz, 60Hz(OPTION)											220/380/415/440V 3P 50Hz, 60Hz(OPTION)												
BLOWER	VOLUME OF WIND(m ³ /min)	0	6	10	0	7	13	0	20	35	0	35	55	0	55	65	0	70	120	0	90	130	0	130	180
	CONSTANT PRESSURE(kPa)	1.72	1.62	0.64	1.76	1.57	0.74	2.06	1.76	1.08	2.06	1.86	1.18	2.45	2.25	1.47	2.65	2.25	1.47	2.75	2.25	1.57	2.75	2.35	1.57
	MOTOR(kJ/s)	0.75			0.75			1.5			2.2			4.0			5.5			4.0 × 2SET			5.5 × 2SET		
BAG FILTER	SIZE(W × L)	420 × 200			420 × 600						640 × 650														
	QUANTITY(POCKET)	8			7			14			15			20			30			40			50		
	FILTRATION SIZE(m ²)	1.6			3.6			7.1			12.5			16.7			25			33			42.5		
	MATERIALS	POLYESTER WOVEN FABRIC																							
SIZE	SHAKING DUST OFF	MANUAL			MANUAL / MOTOR SHAKING																				
	A (mm)	450			520			620			750			750			1200			1500			1900		
	B (mm)	520			520			620			750			750			750			750			950		
	C (mm)	755			1260			1350			1512			1557			1747			1587			1670		
	∅ D(mm)	100			150			200			250			250			300			350			400		
	E (mm)	185			165			190			225			225			200			175			255		
	F (mm)	348			760			760			883			883			583			725			758.5		
	∅ G(mm)	125			150			200			300			300			350			400			450		
	H (mm)	68			128			128			128			128			128			160			160		
SHAKING MOTOR(OPTION)	-			0.2KJ/s × 1SET																		0.2KJ/s × 2SET			
CAPACITY OF DUST BOX(l)	9			16			23			65			100			130									
APPROX. WEIGHT(kg)	50			100			135			180			190			320			380			450			
FIGURE	FIGURE 1											FIGURE 2													

- SHAKING UNIT OF MS750-MS1500 is attached to each left and right side.
- FILTER of MS750-MS1500 consists of 2SETS.
- The weight is standardized on AUTOMATIC TYPE.
- The wire of power is four-string CAB DIA cable attached 3M.
- This Specification is based on 60HZ motors & Clean Filters.
- This Specification shall be changeable without notice in order to improve capability.



Air Pulse Jet Type Dust Explosion Safety Dust Collector

USE

Fume of Aluminum, Milk Powder
 Aluminum Light Alloy, Starch, Titanium, Magnesium,
 Cornstarch, Sulfur, Epoxy Resin, Absorption of Dust Coal



DUST EXPLOSION SAFETY DUST COLLECTOR

CHARACTERISTIC

STRUCTURE OF MINIMIZED CAUSE FOR DUST EXPLOSION

APD SERIES adopts anti-static cartridge filter and detached solenoid enclosure. It is anti-dust explosive safe dust collector that can fall off dust with AIR PULSE, and prevent making flame in dust collector by anti-dust explosive MOTOR, exterior airtight anti-dust explosive electric equipment box.

ANTI-DUST ELECTRIC EQUIPMENT BOX

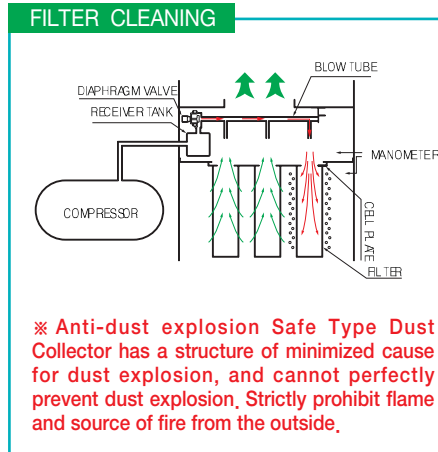
Leakage of flame is prevented with SEAL PACKING

ANTI-BACKFIRE VALVE

In case of dust explosion in dust collector, preventing fire from diffusing into DUCT, it can protect workers from fire storm.

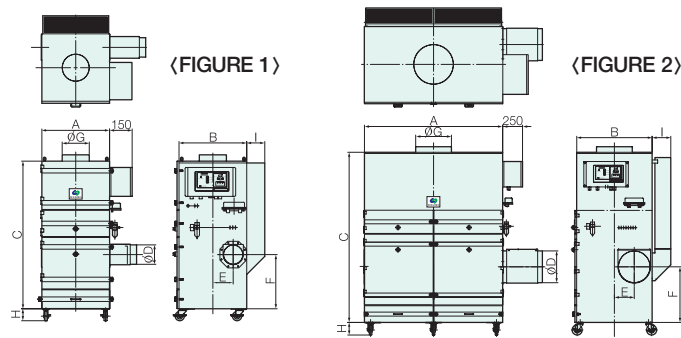
ANTI-STORM DIFFUSIVE HOLE

In case of dust explosion in dust collector, power of explosion may burst the main body of dust collector, and it may cost many lives. So APD SERIES can minimize the damage, absorbing energy of explosion and then inducing and discharging it backward and upward.



APD-300 / PCI 30 / PRE 40

STANDARD DIMENSION

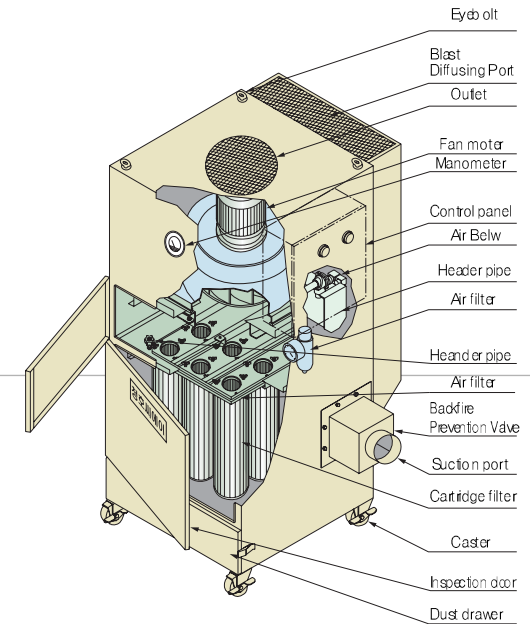


- ▶ Flame-proof specification (Standard type : MOTOR-E₃ control box dust-proof structure) MOTOR-E₃, D₂G₄(OPTION) / CONTROL BOX : dust-proof structure, D₂G₄(OPTION)
- ▶ Filter contamination confirmation device : Analog type manometer
- ▶ Please connect to the grounding conductor on the first power source for prevention of electrification.
- ▶ After cleaning dust box, connect to the grounding conductor. There might be a explosion from static electricity occurred.
- ▶ Operate the machine after checking connection to the grounding conductor when filter replacement
- ▶ Use applying an electric current material for dust and connect every 5 meter to the ground conductor.
- ▶ Install where it is flat and no rain or moisture exposed.
- ▶ Keep warm to avoid dew from temperature differences.

Calcium Carbonate Supply Equipment(OPTION)

- Supplying equipment as high performance of collecting and manufacturing device, prevents fire and increases efficiency of shaking dust off.
- Space of establishment without limit results in possibility of long distant input.
- Lack of collecting- manufacturing is noticed in advance with level gauge and alarming lamp.
- Operating connected with dust collector is available
- In case of flame flowing-in directly, equip PRE DUSTER (flame sinking set).
- Applying work that makes FUME.

PCi-30



APD SERIES

SPECIFICATION

TYPE	APD-100	APD-200	APD-300	APD-500	APD-750	APD-1000	APD-1500	APD-2000	APD-3000																														
POWER	220V 1P, 220/380/415/440 3P 50Hz, 60Hz(OPTION)																																						
MOTOR(KJ/s)	220/380/415/440V 3P 50Hz, 60Hz(OPTION)																																						
VOLUME OF WIND(m ³ /min)	0	7	13	0	20	35	0	35	55	0	55	65	0	70	120	0	90	130	0	130	180	0	200	250	0	280	330												
CONSTANT PRESSURE(kPa)	1.76	1.58	0.74	2.06	1.76	1.08	2.06	1.86	1.18	2.45	2.25	1.47	2.65	2.25	1.47	2.75	2.25	1.57	2.75	2.35	1.57	2.75	2.45	1.76	2.75	2.45	1.86												
CARTRIDGE FILTER	SIZE(W×L×P)									ø 145 × 500L × 75P			ø 145 × 800L × 75P			ø 165 × 800L × 65P																							
	QUANTITY(POCKET)									4			6			9			12			18			24			32											
	FILTRATION SIZE(m ²)									7.5			11.25			16.87			22.5			33.75			45			72			100			133.2					
	FILTRATION Speed(m/min)									0	0.9	17	0	1.8	3.1	0	2	3.3	0	2.4	2.9	0	2	3.6	0	2	2.9	0	1.8	2.5	0	2	2.5	0	2.1	2.5			
MATERIALS									POLYESTER																														
SHAKING DUST OFF									TYPE OF AUTO AIR PULSE																														
NUMBER OF SOLENOID	2			3			4			6			8																										
AIR CONSUMPTION(N l /min)	20			35			40			60			80			100																							
SIZE	A (mm)									520			620			750			850			1290			1720			1720			1950			2010					
	B (mm)									520			620			750			750			900			900			950			1000			1250					
	C (mm)									1410			1570			1635			1735			1830			1760			2090			2140			2270					
	ø D(mm)									150			200			250			250			300			350			400			400			500			600		
	E (mm)									165			190			225			225			275			250			250			230			305					
	F (mm)									628			698			728			728			735			710			700			875			875					
	ø G(mm)									150			200			300			300			350			400			450			550			650					
	H (mm)									128			128			128			128			160			160			160			160			160					
	I (mm)									150			150			200			200			200			200			200			200			250			250		
CAPACITY OF DUST BOX(l)	16			45			65			80			100			130			200			250			250			170			170								
APPROX. WEIGHT(Kg)	180			240			350			430			560			650			820			1,200			1,650			1,650											
FIGURE	FIGURE 1									FIGURE 2																													

● This Specification is based on 60HZ motors & Clean Filters, ● This Specification shall be changeable without notice in order to improve capability.



Dust Explosion Safety Dust Collector of Standard Type

USE

Fume of Aluminum, Milk Powder
 Aluminum Light Alloy, Starch, Titanium
 Magnesium, Cornstarch, Sulfur
 Epoxy Resin, Absorption of Dust Coal



ANTI-DUST EXPLOSION SAFE TYPE

CHARACTERISTIC

STRUCTURE OF MINIMIZED CAUSE FOR DUST EXPLOSION

MSD SERIES is an anti dust explosion safe type dust collector, adopting anti static rectangular bag filter and manual shaking dust off. It can prevent making flame in dust collector by anti dust explosive MOTOR, exterior airtight anti dust explosive electric equipment box.

ANTI-DUST ELECTRIC EQUIPMENT BOX

Leakage of flame is prevented with SEAL PACKING

ANTI-BACKFIRE VALVE

In case of dust explosion in dust collector, preventing fire from diffusing into DUCT, it can protect workers from fire storm.

ANTI-STORM DIFFUSIVE HOLE

In case of dust explosion in dust collector, power of explosion may burst the main body of dust collector, and it may cost many lives. So MSD Series can minimize the damage, absorbing energy of explosion and then inducing and discharging it backward and upward.

BAG FILTER SET



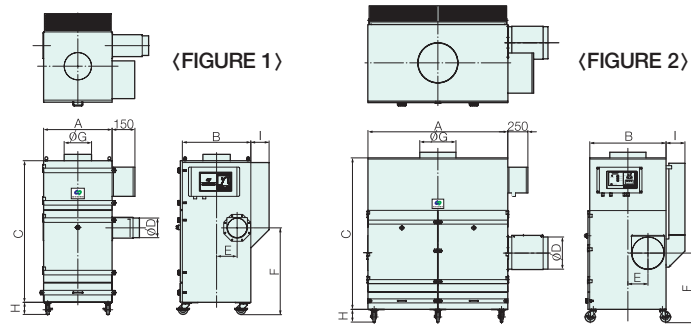
Calcium Carbonate Supply Equipment(OPTION)

- Supplying equipment as high performance of collecting and manufacturing device, prevents fire and increases efficiency of shaking dust off.
- Space of establishment without limit results in possibility of long distant input.
- Lack of collecting- manufacturing is noticed in advance with level gauge and alarming lamp.
- Operating connected with dust collector is available
- In case of flame flowing-in directly, equip PRE DUSTER (flame sinking set).
- Applying work that makes FUME.



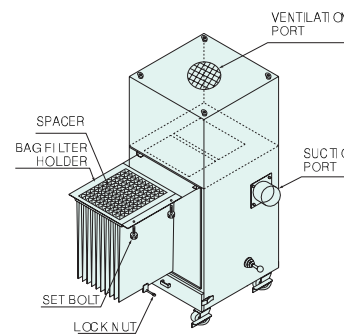
PCI-30

STANDARD DIMENSION

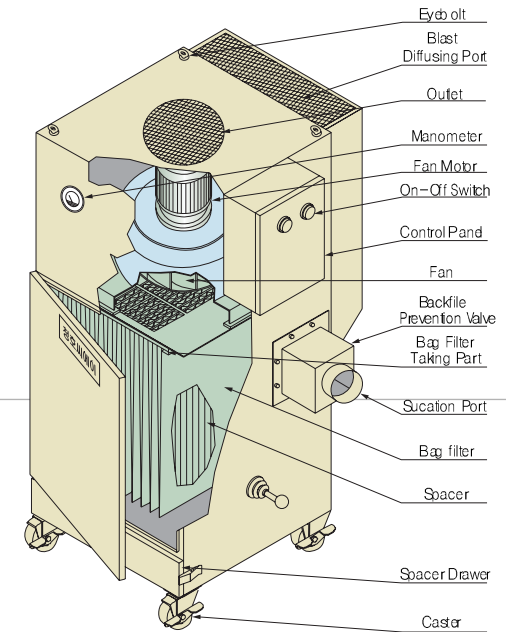


- ▶ Flame-proof specification (Standard type : MOTOR-E₀3 control box dust-proof structure) MOTOR:E₀3, D₂G₄(OPTION) / CONTROL BOX : dust-proof structure, D₂G₄(OPTION)
- ▶ Filter contamination confirmation device : Analog type manometer
- ▶ Please connect to the grounding conductor on the first power source for prevention of electrification.
- ▶ After cleaning dust box, connect to the grounding conductor. There might be a explosion from static electricity occurred.
- ▶ Use applying an electric current material for dust and connect every 5 meter to the ground conductor.
- ▶ Install where it is flat and no rain or moisture exposed.
- ▶ Keep warm to avoid dew from temperature differences.

FILTER CLEANING



※ Anti-dust explosion Safe Type Dust Collector has a structure of minimized cause for dust explosion, and cannot perfectly prevent dust explosion. Strictly prohibit flame and source of fire from the outside.



SPECIFICATION

TYPE		MSD-100			MSD-200			MSD-300			MSD-500			MSD-750			MSD-1000			MSD-1500		
POWER		220V 1P, 220/380/415/440 3P 50Hz, 60Hz(OPTION)									220/380/415/440 3P 50Hz, 60Hz(OPTION)											
BLOWER	VOLUME OF WIND(m ³ /min)	0	7	13	0	20	35	0	35	55	0	55	65	0	70	120	0	90	130	0	130	180
	CONSTANT PRESSURE(kPa)	1.76	1.57	0.74	2.06	1.76	1.08	2.06	1.86	1.18	2.45	2.25	1.47	2.65	2.25	1.47	2.75	2.25	1.57	2.75	2.35	1.57
	MOTOR(kJ/s)	0.75			1.5			2.2			3.7			5.5			3.7 × 2SET			5.5 × 2SET		
CARTRIDGE FILTER	SIZE(W × L)	420 × 600						640 × 650														
	QUANTITY(POCKET)	7			14			15			20			30			40			50		
	FILTRATION SIZE(m ²)	3.6			7.1			12.5			16.7			25			33			42.5		
	MATERIALS	ELECTRIC CHARGE PREVENTION TREATMENT POLYESTER WOVEN FABRIC																				
SHAKING DUST OFF	MANUAL/MOTOR SHAKING																					
SIZE	A (mm)	520			620			750			750			1200			1500			1800		
	B (mm)	520			620			750			750			750			750			850		
	C (mm)	1260			1380			1577			1577			1747			1587			1747		
	∅ D(mm)	150			200			250			250			300			350			400		
	E (mm)	165			190			225			225			200			200			205		
	F (mm)	760			760			880			880			610			752			770		
	∅ G(mm)	150			200			300			300			350			400			450		
	H (mm)	128			128			128			128			160			160			160		
	I (mm)	150			150			200			200			200			200			200		
CAPACITY OF DUST BOX(l)		16			23			65			100			130			480					
APPROX. WEIGHT(kg)		115			150			190			220			380			430			480		
FIGURE		FIGURE 1									FIGURE 2											

● This Specification is based on 60HZ motors & Clean Filters. ● This Specification shall be changeable without notice in order to improve capability.

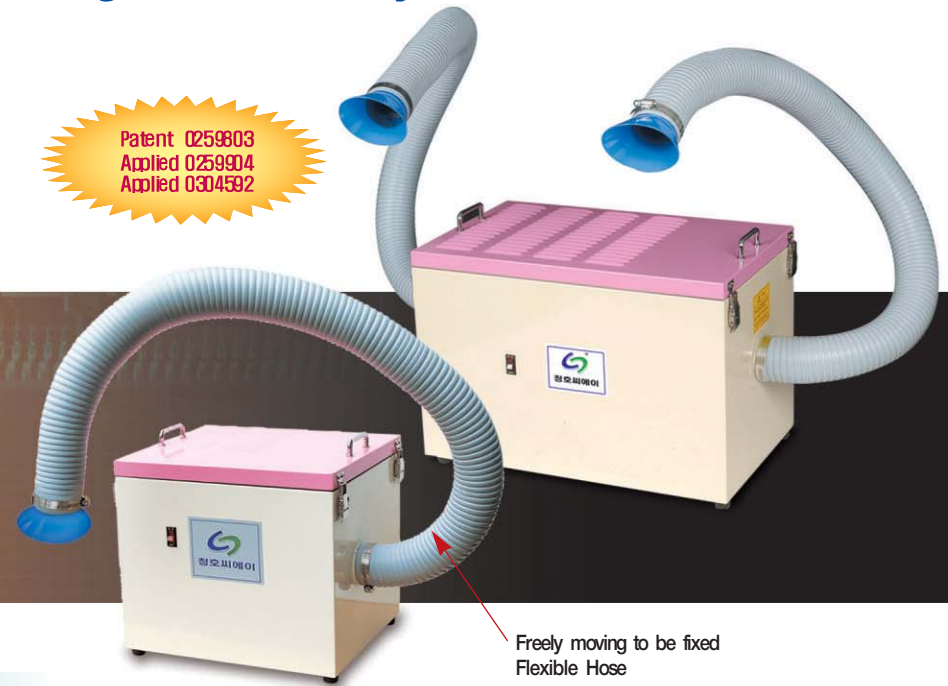


Duct Connected Low Noise / High Efficiency Collector

USE

- Elimination of Lead Smoke and Fume in Soldering Electric and Electronic Parts.
- Elimination of Fume in Laser Marking and Cutting.
- Elimination of Reek of Chemicals in School, Research Institute, Lab.
- Elimination of Dust in Grinding and Carving Precious Metal.
- Elimination of Dust from Mixer of Pharmacy.

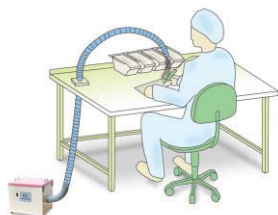
Patent 0259803
Applied 0259904
Applied 0304592



SOLDERING SMOKE & FUME COLLECTOR

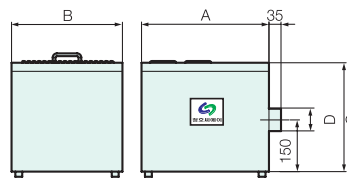
CHARACTERISTIC

- Perfect absorption of particles of fume owing to combination of activated carbon fiber filter and granular activated carbon.
- Extension of expected life of activated carbon filter in adoption of triple filter, perfectly collecting 99.997% of minute particles over 0.3 μ m.
- Equipment on the table is available due to beautiful shape and compact size.
- Silent operating from perfect anti-noise measure.

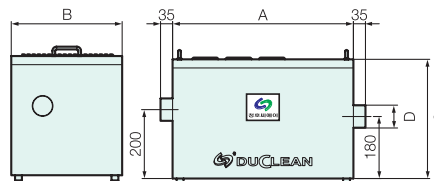


(INSTALLATION EXAMPLES)

STANDARD DIMENSION



(FIGURE 1)



(FIGURE 2)

TYPE		ZF-100			ZF-300			ZF-500		
POWER		220V 1P 50Hz, 60Hz(OPTION)								
BLOWER	VOLUME OF WIND(m ³ /min)	0	1.8	3.5	0	5	7	0	7	15
	CONSTANT PRESSURE(kPa)	0.25	0.25	0	0.34	0.16	0	0.59	0.29	0
	MOTOR	43J/s			180J/s			340J/s		
1st FILTER		PRE FILTER(305 × 305 × 20)								
2nd FILTER		H.E.P.A FILTER(305 × 305 × 75)								
3rd FILTER		ACTIVE CARBON								
SIZE	A (mm)	370			460			525		
	B (mm)	322			322			322		
	C (mm)	316			316			346		
	ø D(mm)	65			65			65		
MULTI-REFRACTIVE HOSE		ø 65 × 800L × 1			ø 65 × 1000L × 1			ø 65 × 1000L × 2		
WEIGHT(Kg)		10			12			20		
SOUND LEVEL(DB±2)		35±2			48±2			55±2		
FIGURE		FIGURE 1			FIGURE 1			FIGURE 2		

• This Specification is based on 60Hz motors & Clean Filters, • This Specification shall be changeable without notice in order to improve capability.

Small Amount of VOC(Volatile Organic compounds), Fume, Odor Eliminator



USE

Laser Cutting, Marking, Soldering
Lab of Chemistry and Medicine, Research Institute,
Assembly Line of Electric and Electronic Parts

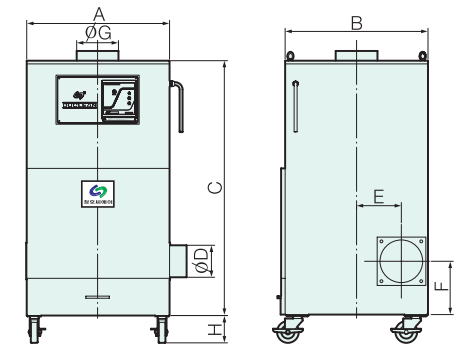
FUME ODOR ELIMINATOR

ZF/LC

CHARACTERISTIC

- Compact size of optimal design is suitable for small space.
- Adopted slide type is easy to change the filter.
- Long lasting and high efficiency is owing to combination of activated carbon fiber filter and granular activated carbon.
- Epoch-making extension of expected life of carbon filter is on account of triple filter structure, collecting minute dust.

STANDARD DIMENSION



TYPE		LC-50	LC-100			LC-200				
POWER		220V 1P 50Hz, 220/380/415/440 3P 50Hz, 60Hz(OPTION)								
BLOWER	VOLUME OF WIND(m ³ /min)	0	6	10	0	7	13	0	20	35
	CONSTANT PRESSURE(kPa)	1.72	1.62	0.64	1.76	1.57	0.74	2.06	1.76	1.08
	MOTOR(KJ/s)	0.75						1.5		
1st PRE FILTER		400×500×20			610×610×20			610×610×20		
2nd FILTER		400×500×50 Cartridge			610×610×75 HEPA			610×610×150 HEPA		
3rd CARBON FILTER		400×500×50H×2			510×510×50H×2			610×610×50H×4		
SIZE	A (mm)	450			670			670		
	B (mm)	500			670			670		
	C (mm)	705			890			1190		
	ø D(mm)	100			150			200		
	E (mm)	0			235			220		
	F (mm)	70			132			162		
	ø G(mm)	100			290			290		
	H (mm)	68			128			128		
APPROX. WEIGHT(Kg)		65			105			180		



* Registration of Design (040756)



* Registration of Design (0399271)

• This Specification is based on 60HZ motors & Clean Filters, • This Specification shall be changeable without notice in order to improve capability.



Vast Quantity of Dust Discharge System

DUST DISCHARGE EQUIPMENT

ROTARY VALVE TYPE

This is the way of increasing efficiency of handling and collecting dust with continually discharging vast quantity of dust.

BUTTERFLY VALVE TYPE

ONE TOUCH discharge is available with strong airtight of no leakage of dust and air.

SLIDE GATE TYPE

It is convenient to manage collected dust periodically using gunny bag and burlap bag in discharging dust.

BIN MOUNT TYPE

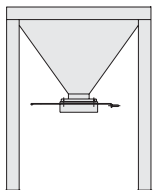
This is the compact way of collecting dust, directly attached to objective machine.



ROTARY VALVE



BUTTERFLY VALVE



SLIDE VALVE



APH

SIZE	MS SERIES								AP SERIES								APH-200HS	APH-300HS	APH-500HS
	MS100	MS200	MS300	MS500	MS750	MS1000	MS1500	AP100	AP200	AP300	AP500	AP750	AP1000	AP1500	AP2000	AP3000			
A (mm)	520	620	750	750	1200	1500	1800	520	620	750	850	1290	1700	1700	1950	2010	1250	1250	1490
B (mm)	520	620	750	750	750	750	850	520	620	750	750	900	900	950	1000	1250	570	750	750
C (mm)	1190	1310	1447	1447	1582	1447	1582	1325	1435	1480	1520	1700	1590	1930	1950	2125	975	975	975
D (mm)	1360	1487	1637	1637	2050	2550	2580	1360	1530	1665	1722	2140	1790	1790	1910	1940	1409	1409	1504
E (mm)	2550	2797	3084	3084	3632	3697	4162	2685	2965	3145	3242	3840	3380	3720	3860	4065	2384	2384	2479
F (mm)	1081	1208	1358	1358	1771	1971	2301	1081	1251	1386	1443	1861	1516	1516	1631	1661	1130	1130	1225
G (mm)	2271	2518	2805	2805	3353	341	3883	2406	2686	2866	2963	3561	3106	3446	3581	3786	2105	2105	2200

• This Specification shall be changeable without notice in order to improve capability.



Optimized for Oil Mist

USE

Machining Center, Automatic Lathe, Processing Milling, Homing Machine, Tapping Machine, Electric Type

MIST COLLECTOR



Option - Box Type

Standard - LE Type

CHARACTERISTIC

- Perfect collecting from mist to fume by triple filter.
- In adoption of H.E.P.A FILTER, perfectly collecting 99.997% of minute particles over 0.3 μ m.
- Adopted slide type of filter and easy to change.
- Centralized intensive handling is available. It can integrate many machines of making fume to one place by its huge capacity.

Function of elimination of fume is available to be added to. (Option)

- Activated carbon fiber filter is activator that consists of high molecular compound. It has high absorption ratio and strength, and doesn't make secondary pollution because of not easily weathering. It is highly acid-resistant and alkali-tolerant, and lasts long
- H.E.P.A. FILTER for adherent LIFTER is attached to OMC-750~1500 TYPE.

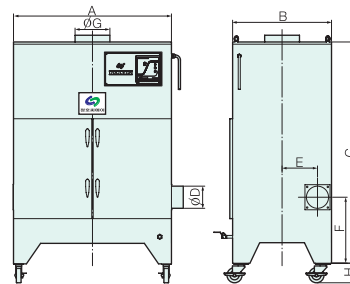


HEPA Filter (STANDARD)



ACF Filter (OPTION)

STANDARD DIMENSION



OMC-750 to 1500 Models Have Lifters for HEPA Filter



OMC-1000/OD

TYPE	OMC-100	OMC-200	OMC-300	OMC-500	OMC-750	OMC-1000	OMC-1500
POWER	220V 1P, 220V/380V 3P 50Hz, 60Hz(OPTION)			220V/380/415/440V 3P 50Hz, 60Hz(OPTION)			
BLOWER	VOLUME OF WIND(m ³ /min)	0 7 13	0 20 35	0 35 55	0 55 65	0 70 120	0 90 130 0 130 180
	CONSTANT PRESSURE(kPa)	1.76 1.57 0.74	2.06 1.76 1.08	2.06 1.86 1.18	2.45 2.25 1.47	2.65 2.25 1.47	2.75 2.25 1.57 2.75 2.35 1.57
	MOTOR(KJ/s)	0.75	1.5	2.2	4.0	5.5	4.0×2 5.5×2
FILTER	1st PRE FILTER	610×610×50		760×610×50		610×610×50×2	760×610×50×2
	2nd VEEBAG FILTER	610×610×300×8pocket	610×610×560×10pocket	760×610×560×12pocket		610×610×560×10pocket×2	760×610×560×12pocket×2 760×610×560×15pocket×2
	3rd HEPA FILTER	610×610×75	610×610×150	760×610×150	760×610×292	610×610×292×2	760×610×292×2
SIZE	A (mm)	670	670	820	820	1344	1650 1650
	B (mm)	710	750	820	820	900	950 1000
	C (mm)	1345	1855	1918	2077	2383	2210 2254
	φD(mm)	150	200	250	250	300	350 400
	E (mm)	260	255	260	260	275	275 275
	F (mm)	650	880	898	878	785	785 780
	φG(mm)	150	200	300	300	350	400 450
H (mm)	128	128	128	128	160	160 160	
APPROX.WEIGHT(Kg)	120	168	280	305	680	710 760	

• This Specification is based on 60HZ motors & Clean Filters, • This Specification shall be changeable without notice in order to improve capability.

Powerful Absorption Force, Easy to Move



USE

Collecting CHIP in processing metal, eliminating dust of fiber, eliminating foreign material of floor of factory, timber mill, all kinds of industrial fields



MULTI-PURPOSE ABSORPTION COLLECTOR

HV/SP



Separated dust box



SP-6000R

CHARACTERISTIC

- Constancy of wind quantity and pressure without pulsation
- High wind pressure obtainable with low power
- Various kinds of models selectable according to change of working environment
- Continual operating available for 24hours
- Dust collector tank separable

Multi-phase TURBO BLOWER(T)



Using this attached in case of need for powerful absorption
Showing excellent function of absorption with huge capacity and wind quantity
The way of driving directly connected with belt

RING BLOWER(R)



Product	Power	MOTOR	Vacuum level	Noise	Weight	SIZE	Output	Materials
SP-3000R (3P)	220V/380V/440V (OPTI ON)	2.2KJ/s	21.6kPa	76dB	110Kg	600×960×1110	4M ³ /MIN	SUS
SP-5000R (3P)	220V/380V/440V (OPTI ON)	3.7KJ/s	24.5kPa	78dB	150Kg	600×1180×1060	5.5M ³ /MIN	SUS
SP-6000R (3P)	220V/380V/440V (OPTI ON)	4.4KJ/s	32.4kPa	78dB	155Kg	600×1180×1160	6.2M ³ /MIN	SUS
SP-7500T (3P)	220V/380V/440V (OPTI ON)	5.5KJ/s	27.5kPa	90dB	235Kg	690×1220×1400	8M ³ /MIN	SUS
SP-10000T (3P)	220V/380V/440V (OPTI ON)	7.5KJ/s	29.4kPa	90dB	245Kg	690×1220×1400	8.7M ³ /MIN	SUS
SP-15000T (3P)	220V/380V/440V (OPTI ON)	11KJ/s	34.3kPa	95dB	270Kg	690×1420×1550	9.5M ³ /MIN	SUS

• This Specification shall be changeable without notice in order to improve capability.